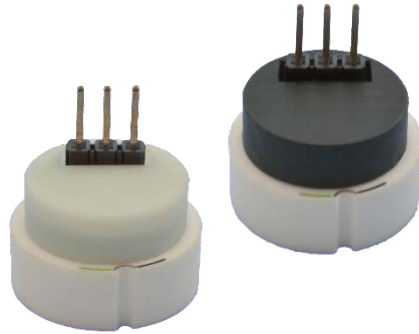


# CDC Series

## Features

- Ceramic Diaphragm sensing
- Digital Trimming
- High Accuracy
- Wide Operating Temperature Range
- Refrigerant and Water Media Compatibility
- Various color codes
- Long Life
- Abrasion resistance
- Small size Low profile



## Applications

- Hydraulics
- Valves
- Water Pumps
- Pneumatics

The CDC series (Ceramic Diaphragm Core) is specially designed for use in applications where there is limited space. The Al<sub>2</sub>O<sub>3</sub> ceramic diaphragm is designed for the most demanding environments, where low cost is needed yet maintaining high accuracy, long term reliability, and long life. This series is also very well suited for many other water, hydraulic and air compressor applications.

## TECHNICAL SPECIFICATIONS

Accuracy @ 25C	±0.5 %Span
Linearity, repeatability, and hysteresis	
Total Error Band	±1.0 %Span 0°C to 80°C ±2.0 %Span -40°C to 125°C Typical Max
Pressure Ranges	0-150 psi, 200 psi, 300 psi, 500 psi, 750 psi, 1000 psi, 2000 psi (gage)
Operating Temperature Range	-40°C to 125°C
Storage Temperature	-40°C to 150°C
Proof Pressure	2X rated pressure
Burst Pressure	3X rated pressure
Cycle Life	1 Million + FS cycles
Vibration	5g (33Hz)
Drop (any axis)	1 m
Housing Material	Al <sub>2</sub> O <sub>3</sub> ceramic with plastic cap PBT 30% glass filled
Media	Refrigerant, Water, or Hydraulic fluid

Approvals and Marks (UL Listed File E480159, Class III)

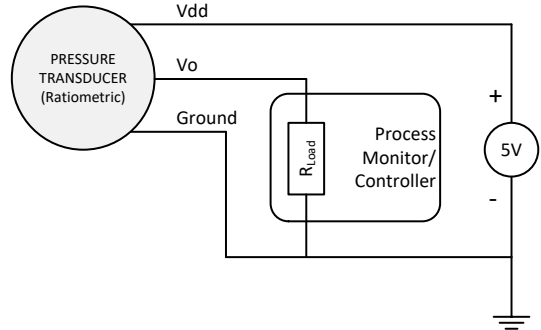
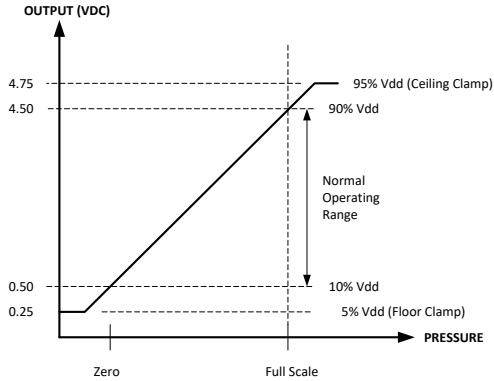


## RATIOMETRIC (Output is proportional to Voltage supply)

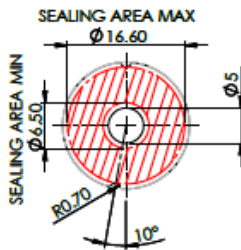
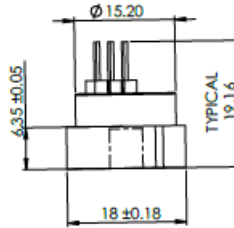
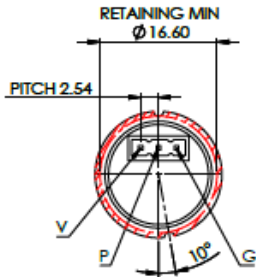
Electrical Specifications	Min	Typ	Max	Unit
Supply Voltage (Vsupply)	4.75	5	5.25	VDC
Supply Current	-	6	8	mA
Output Voltage	10% to 90% typical, other ranges are available			Vsupply
Upper Clipping Level	-	-	95%	
Lower Clipping Level	5%	-	-	Vsupply
Overvoltage Protection	-	-	16	VDC
Reversed Polarity Protection	-16V	-	-	VDC
Short Circuit Protection	-	Yes	-	
Output Load	-	10	-	KΩ
Insulation Resistance @ 500VDC for 1 minute	100	-	-	MΩ
Dielectric Strength	-	1800 for 1 sec	-	VAC
Response Time	-	< 5	-	ms
IEC61000-4-2 ESD	±2KV Terminal / ±8KV Contact Discharge / ±15KV Air Discharge			
IEC61000-4-3 Radiated	50V/m (80-1000MHz)			
IEC61000-4-4 Transient/Burst	1KV			
IEC61000-4-6 Conducted	3V			

# Application Schematic

## Ratiometric: Output Characteristic Graph and typical application schematic



## MECHANICAL DIMENSIONS (mm)



**BOTTOM VIEW**

Abbreviation	Description
V	Voltage Supply
P	Pressure Output
G	Ground

Contact manufacturing for other configurations